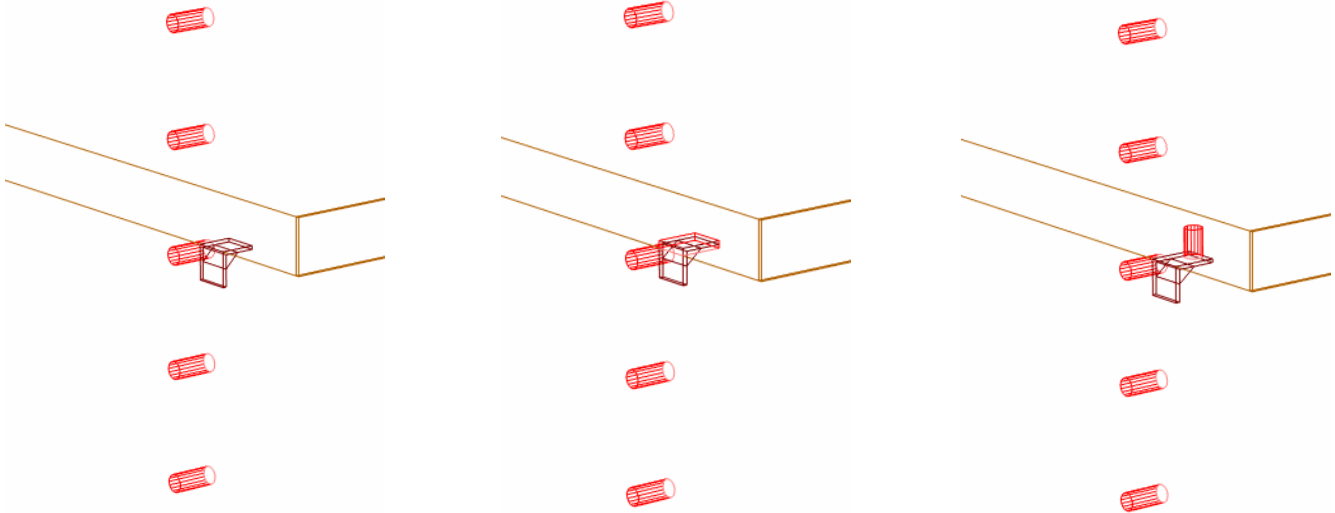


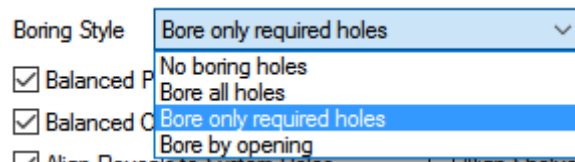
# Adj Shelf Supports/Notches/Lugs User Guide.

## Introduction



## Overview

- This package from Solid Setup adds Shelf supports to adjustable shelves when “Bore only required holes” is selected.
- It also adds Notches or lug holes in the bottom face of the shelf if required.
- For reporting purposes you can choose “Plastic, Steel or Brass” pins.
- The pins are displayed graphically under the shelf.
- The default notch and lug hole sizes and positions are controlled by UCS Public Variables.
- A Room note or attribute is used to activate the support types.
- The support types can be altered or switched off per shelf via attribute.
- For Version 7R2, 8 and 9
- **This package also works for any extra linebores added by our ASHSTD and ASHSHP packages and also works for the shaped shelves added by our SHFSHPED package.**
- **It does NOT work for “Bore all holes” or “Bore by opening” or with our Full lineboring ASHLBORE package.**



## Included in This Package

### User Created Standards

- { SHELVES } -- Support Notches or Lugs                      Adds Shelf Supports and Notches/Lug holes to Adj Shelf

### Library

- CVS Parts.cvc    contains the shelf support part

### Materials

- Shelf Pin Plastic                                      Plastic support material
- Shelf Pin Steel                                        Steel support material
- Shelf Pin Brass                                        Brass support material

### Parameters

- S\_Room\_Shelf\_Pin\_Type                      Shelf Pin Type
- S\_Room\_Shelf\_Pin\_Mat                      Shelf Pin Material


## Room Attributes

Use the two Room attributes to activate the shelf supports at the room level:

Prompt:	Value:	Description:
Shelf Pin Type	None	Turns off the shelf supports
	Standard	Selects the standard shelf support
	Rebated	Selects the shelf support with dadoes under the shelf
	Lug	Selects the shelf support with Lug holes under the shelf
Shelf Pin Material	Plastic	Selects the plastic shelf support materials
	Steel	Selects the steel shelf support materials
	Brass	Selects the brass shelf support materials

### Defaults:

To change your shelf support room defaults, you need to alter the order of the drop down lists. The first item in the list will be the one that is shown in the room by default, when you start a new job. Go to the start screen – Utilities – Tools – Parameters, and look for the following 2 lines:

 System Parameters

Prompt	Parameter	Value	Type	Class	Style
<input checked="" type="checkbox"/> Shelf Pin Type	S_Room_Shelf_Pin_Type	<lst>Standard=1 Rebated=2 Lug=3 .None=0	Integer	Room	Attribute
<input checked="" type="checkbox"/> Shelf Pin Material	S_Room_Shelf_Pin_Mat	<lst>Plastic=1 Steel=2 Brass=3	Integer	Room	Attribute

Replace the “Value” with the correct list from the following choices:

#### For the “Shelf Pin Type”

- If you wish for the default to be “Standard”, this is our default, so leave it as is.
- If you wish for the default to be “None” use this list:                      <lst>.None=0|Standard=1|Rebated=2|Lug=3
- If you wish for the default to be “Rebated” use this list:                      <lst>Rebated=2|Standard=1|Lug=3|.None=0
- If you wish for the default to be “Lug” use this list:                      <lst>Lug=3|Standard=1|Rebated=2|.None=0

**For the “Shelf Pin Material”**

If you wish for the default to be “Plastic”, this is our default, so leave it as is.

If you wish for the default to be “Steel” use this list: <lst>Steel=2|Plastic=1|Brass=3

If you wish for the default to be “Brass” use this list: <lst>Brass=3|Plastic=1|Steel=2

**Note:** If you would prefer that these were Room Notes instead of attributes, this can be changed here:

Prompt	Parameter	Value	Type	Class	Style
Shelf Pin Type	S_Room_Shelf_Pin_Type	<lst>Standard=1 Rebated=2 Lug=3 None=0	Integer	Room	Attribute
Shelf Pin Material	S_Room_Shelf_Pin_Mat	<lst>Plastic=1 Steel=2 Brass=3	Integer	Room	Attribute

## Part Attributes

### Functionality

The Shelves have 2 Attributes which allows you to override the Room settings.

- The shelf Attributes are only visible in the sidebar of the cabinet editor when a **shelf is selected**.

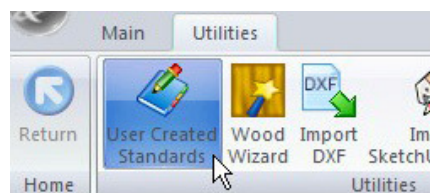
### Shelf Attributes:

Prompt:	Value:	Description:
Shelf Pin Type	Auto	Uses the Room attribute to select the support type
	None	Turns off the shelf supports
	Standard	Selects the standard shelf support
	Rebated	Selects the shelf support with dadoes under the shelf
	Lug	Selects the shelf support with Lug holes under the shelf
Shelf Pin Material	Auto	Uses the Room attribute to select the support material
	Plastic	Selects the plastic shelf support materials
	Steel	Selects the steel shelf support materials
	Brass	Selects the brass shelf support materials

## Default Settings

### Setting Your Shelf Notch or Lug Hole Defaults

- Go to the Utilities – Edit User Created Standards from the Room Plan or Elevation views



- Then click on the “{ SHELVES } -- Support Notches or Lugs ” UCS

- On the top right hand side of the screen you will see these Public Variables:

Public Variables	
Dado Width	Imp(10)
Dado Length	Imp(12)
Dado Depth	Imp(2)
Dado Tool ID	0
Lug Hole Diameter	Imp(5)
Lug Hole Depth	Imp(8)
Lug Hole Position	Imp(10)

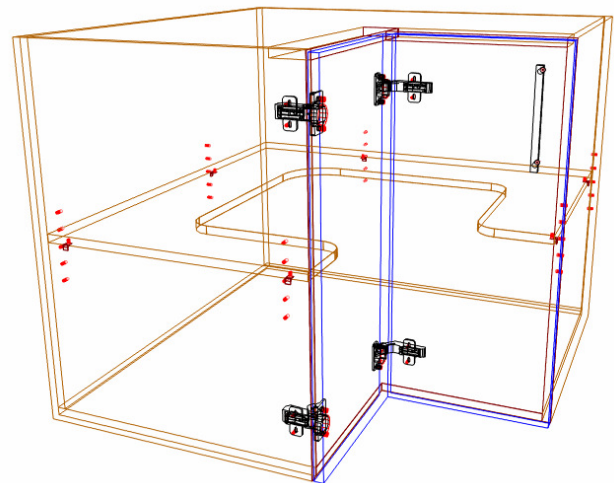
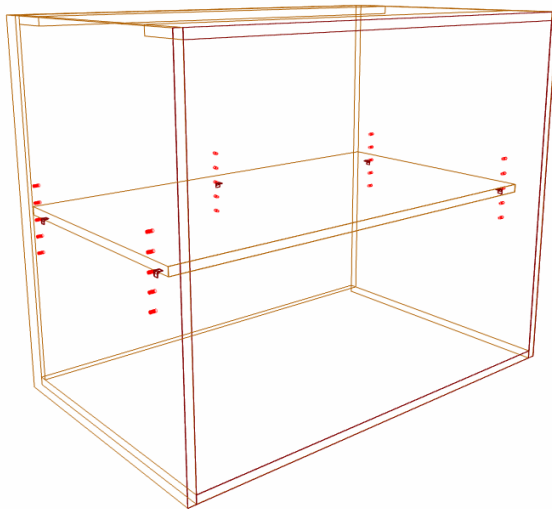
Here is a description of what each one controls:

If using the “Rebated” shelf support type, you need to set the following 4 values:

Dado Width	Shelf pin notch width (along shelf edge)
Dado Length	Shelf pin notch length (away from shelf edge)
Dado Depth	Shelf pin notch depth (into underside of shelf)
Dado TOOLID	Selects the Tool ID for the Shelf pin dadoes ( 0 for Auto)

If using the “Lug” shelf support type, you need to set the following 3 values:

Lug Hole Diameter	Shelf pin Lug Hole diameter
Lug Hole Depth	Shelf pin Lug Hole depth
Lug Hole Position	Shelf pin Lug Hole position from edge of shelf



## Tools Required

- The drill diameters you choose in the UCS User Definable Variables above are all required for this package to work. You must have these tool diameters in your tool catalog and in your machine.

## Package Exclusions

Some of the items shown in various images contained in this document are not included in the Shelf Support Package, but come from other packages which are sold separately as listed here:

- SHFSHPED** Shaped corner shelf
- BLMCTOP** Blum Cliptop hinges package.

See our website for more detailed information on these packages.