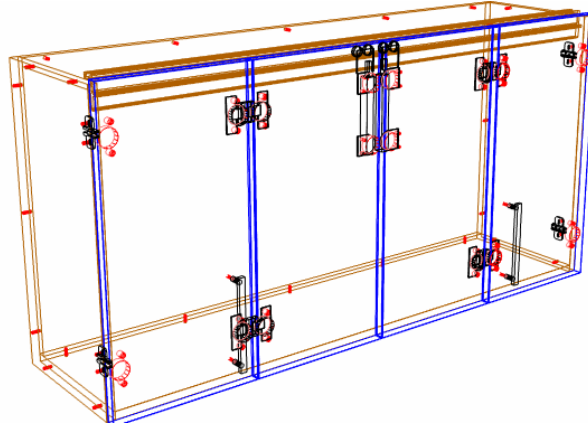


# Hettich Wingline '230' User Guide.



## Introduction

### Overview

- The 'Hettich Wingline 230 Package' from Solid Setup adds the Hettich Wingline 230 folding door system to Cabinet Vision Solid.
- It provides drilling for the Door parts, for CNC output.
- *(You can change the carriage anchor drilling diameters and depths to the tools you want to use.)*
- It also adds 3d graphics for the carriages and profile etc.
- The carriages and profile etc are added as a separate parts and materials for reporting purposes.
- All material descriptions contain the Hettich order number after the # symbol.
- Please read Hettich documentation for more information on the Wingline 230 system.

## Included in This Package

### User Created Standards

- { DOOR } -- Hettich Wingline 230 -Adds Hettich Wingline 230 to DOR\_OPEN

### Library

- CVS Hettich.cvc Cabinet Vision Catalog of Hettich Library parts

### Parts

- HNGDXF Hinge type part used for Hinges and Carriages

### Materials

- Hinge - Wing Line 230 Hinge - Activates UCS when selected on door
- Misc - WingLine 230 Carriage L - Material for Lh door kit
- Misc - WingLine 230 Carriage R - Material for Rh door kit
- Misc - WingLine 230 Track 12 - Material for 1200mm profile (track)
- Misc - WingLine 230 Track 24 - Material for 2400mm profile (track)
- Hinge Hinge Graphic - Material used for folding hinge graphic only

## Wingline 230 Usage

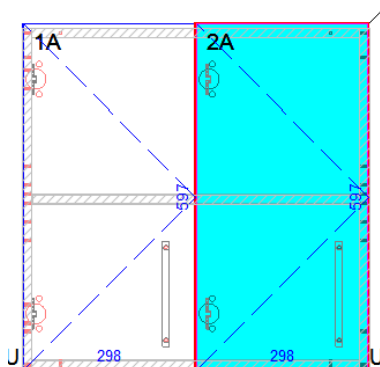
### Requirements.

For the Wingline 230 to work correctly the following conditions must be met

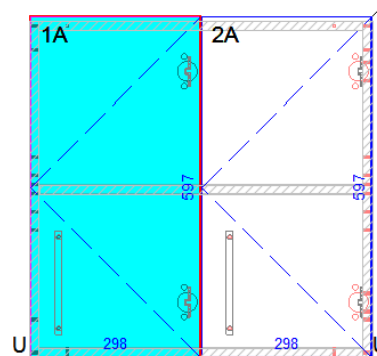
- Cabinet must be a straight cabinet not a corner or shaped cabinet.
- Cabinet top or front top rail must be scribed down **11.3mm**.
- Cabinet top or front top rail must be set back **20mm** from face.
- Cabinet should have 2 or 4 doors for best operation of Wingline 230.
- Doors requiring carriages must be hinged off an adjacent door, not the cabinet.
- In a **2 door scenario**, **Door with carriage cannot overlay cabinet end by more than 4mm!**
- Please read Hettich documentation for full description of the Wingline 230 operation.

### Activation

- When the above requirements are met, the Wingline 230 is activated by selecting the Wingline 230 hinge on the door which is hinged off the door next to it.
- Firstly, **scribe the top down 11.3mm and set it back 20mm**.
- **2 Door scenario:**
- In the section view split the pair of doors into 2 separate doors
- Rehinge the door required:

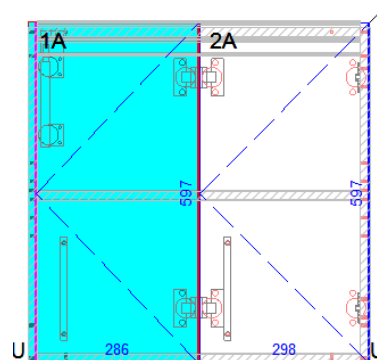
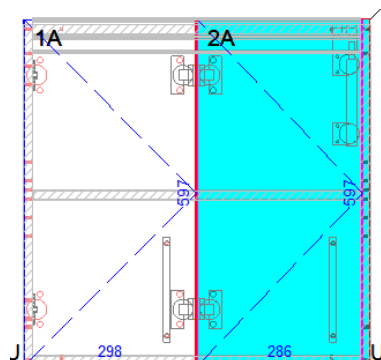


Right Door Rehinged

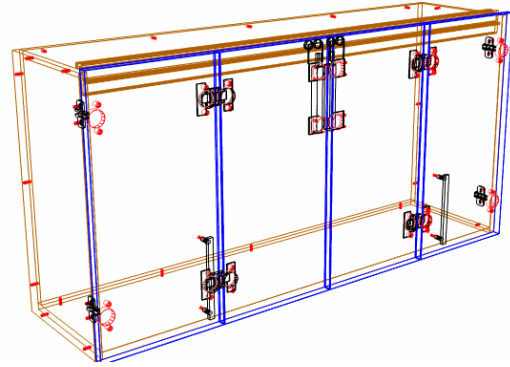
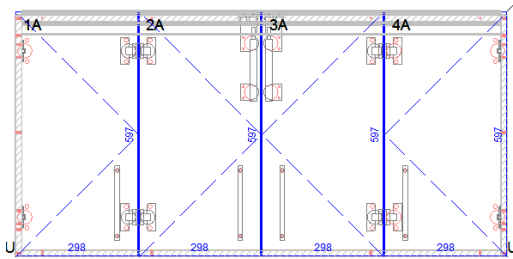


Left Door Rehinged

- Double click on the re-hinged door and select the hinges tab
- Then press the change button
- Do a search for "230"
- Select the "Wing Line 230 Hinge"
- **Ensure that the carriage door only overlays the end by 4mm!!**
- Cabinet should now look like this



- **4 Door Scenario:**
- Again, **scribe the top down 11.3mm and set it back 20mm.**
- In the section view split the face into 4 individual doors.
- Rehinge the middle 2 doors so they hang off the 2 side doors.
- Again choose the “Wing Line 230 Hinge” on the middle doors as described above
- You do not have to worry about the carriage door overlays in this scenario.
- Cabinet should now look like this:



- Handles can be removed off carriage doors if not required.

## Linking to a Shelf instead of the Cabinet Top.

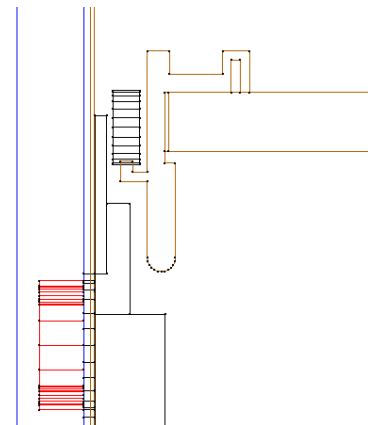
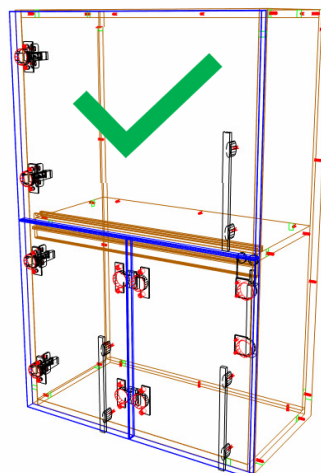
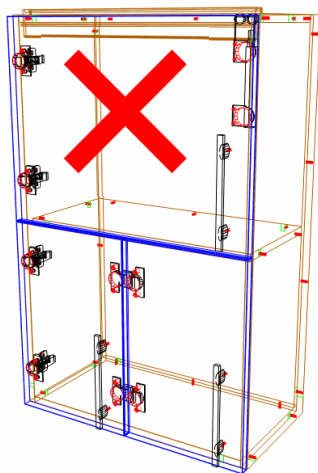
By default, when the door attribute “**WL230 Top Track Position**” is set to “**Link to Top**”, the Carriage and Top Track will link to the Cabinets Top or Top Rail if they are present, even if they are not behind the door itself.

If the top of the door is not near the Cabinets Top or Top Rail, you can set the Position attribute to “**Manual Placement**”, instead, and then use the other attributes to move them up/down and Left/Right.

Use this method to link them another part such as a shelf. Set the shelf back 20mm and make sure the track sits on the shelf as per the side view image below.

**WL230 Top Track Position**  
**WL230 Top Track Y Adj**  
**WL230 Top Track LH Adj**  
**WL230 Top Track RH Adj**

Link to Top / Manual Placement  
 Move the track and carriages up/down  
 Resizes track on Left hand side  
 Resizes track on R ight hand side



**NOTE:** Ensure shelf is set back 20mm the same as a top, and make sure track sits on shelf as shown here

## Hinge Door Inset Amount

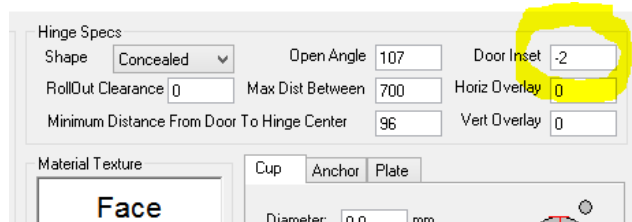
As with all our hinge materials, we have set the door inset to -2mm so that the doors are shown in their correct position of 2mm away from the cabinet.

The door inset of all the doors must be even or else the folding hinge will not drill the adjacent door.

You can either change our “Wing Line 230 Hinge” inset to match your hinge inset or change your hinge inset to -2mm.

To do this enter your material catalog and choose the Hinges tab.

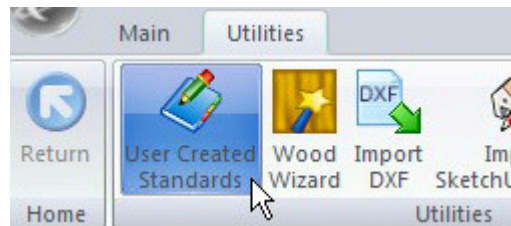
Find the hinge you wish to change and select it. The door inset value is shown here:



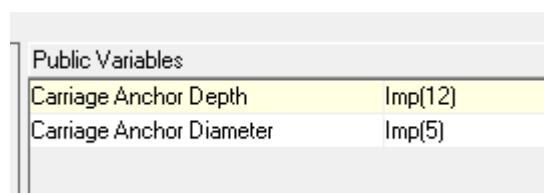
## Drilling Setup

### UCS Public Variables

- To change these variables go to the Utilities – Edit User Created Standards from the Room Plan or Elevation views



- Then click on the “{ DOOR } -- Hettich Wingline 230 “ UCS. The Public Variables are at the top right of the screen.



- Change the Carriage anchor drilling to the sizes you prefer.
- Edit the **Imp()** values to the diameter and depths you require.
- If you are using imperial sizes simply replace the whole **imp()** with the imperial measurement instead.
- E.g.: **Imp(3)** might become **1/8**

Once you have changed these values to your requirements, close the UCS editor.

**Note:** The cup holes for the folding hinge and carriage are 35mm diameter x 12mm deep.  
The Folding hinge anchor holes are 10mm diameter x 12mm deep.

## Tools Required

- The drill diameters you choose in the UCS User Definable Variables above and the other listed diameters, are all required for this package to work. You must have these tool diameters in your tool catalog and in your machine.

## Package Exclusions

There may be some items shown in various images contained in this document which are not included in this Package. Any items not specifically mentioned in this guide are part of our other packages which are sold separately.

See our website for more detailed information on these packages.