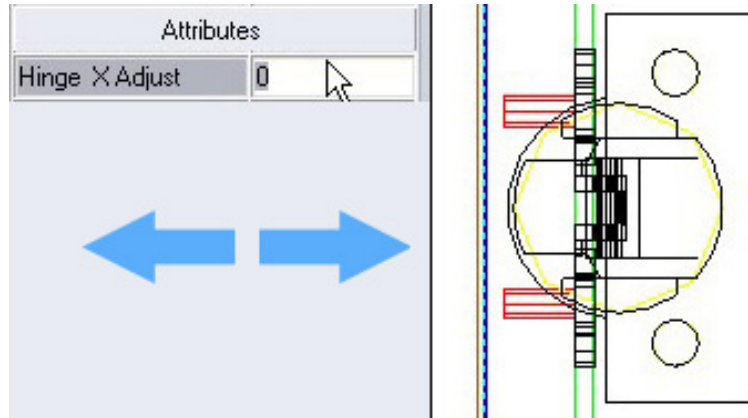


Hinges X Position Editing User Guide.



Introduction

Overview

- The 'Hinges X Position Editing Package' from Solid Setup adds the ability to move hinges left to right on a left or right hinged door, or up and down on a top or bottom hinged door.
- Displays the X adjustment as an **attribute** on the door, which can be edited.
- Moves the **Hinge Cup Hole and Cup Anchor holes** from their standard position, relative to the edge of the door, by the adjustment entered (plus or minus)
- Also moves the hinge graphic if you have any of our visual hinge packages installed.
- The hinge **plate** position is **unaffected**.
- Works independently of our other hinge packages.
- To move a hinge up or down refer to our **HNGYPOS** (Hinges Y Position Editing) package.
- To move the hinge **plate** left to right refer to our **HNGPTX** (Hinge Plate X position edit) package

Included in This Package

User Created Standards

The Following UCS is provided:

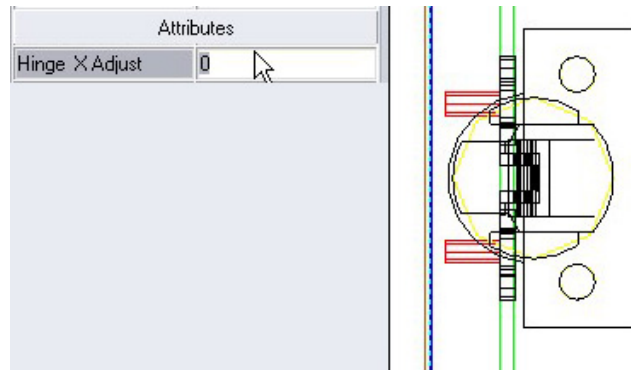
{ HINGES } – Edit X Pos

Once installed, ensure that this UCS appears above any other hinge UCS's you may already have. If you also have our "{ HINGES } – Edit Y Pos" UCS (**HNGYPOS**) or our "{ HINGES } -- Adjust Plate X Pos" UCS (**HNGPTX**), they should all be above any other hinge UCS's you may have, including our **BLMCTOP** (Blum Cliptop Hinge Visual) package etc. Refer to our website for more information on UCS order.

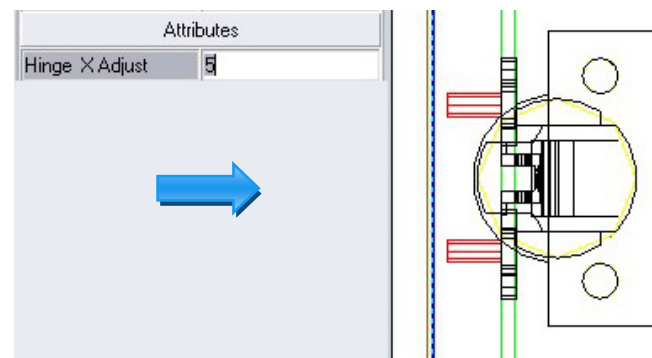
Usage

Attributes

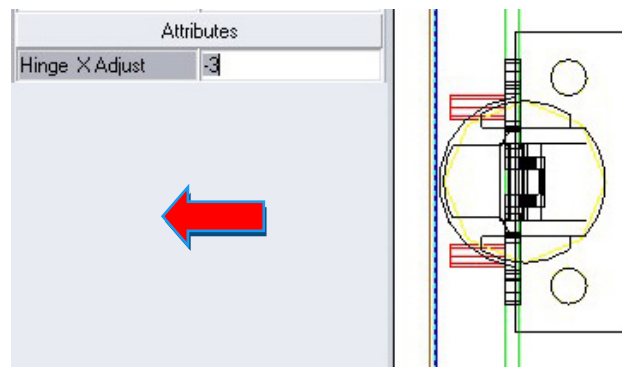
- To move the hinges click on the door in the orthographic front view in the cabinet editor
- You will see **“Hinge X Adjust”** under the Attributes heading on the left side of the screen



- Enter a value to move the hinges:
- A **positive** value will move the hinges **away** from the edge of the door by the amount entered:



- A **negative** value will move the hinges **towards** the edge of the door by the amount entered:



- If you change your mind, change the **“Hinge X Adjust”** attribute to zero (0) to return the hinges to their original position.

Hinges X Position Package Revision List.

Revision List

Rev/Date	Description	Items Affected
0 14/06/2011	First Draft Complete and tested	